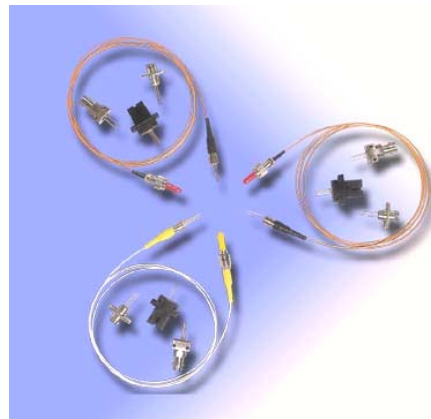


# 1550nm ELED Module

1550nm ELED Module

## Features

- High coupled power
- Peak wavelength 1550 nm
- 3 dB bandwidth >40 nm
- Cut off frequency > 150 MHz
- Operating temperature range 0°C to 70°C
- Hermetically sealed TO package in pigtailed or receptacle housing with FC, ST or SC connector



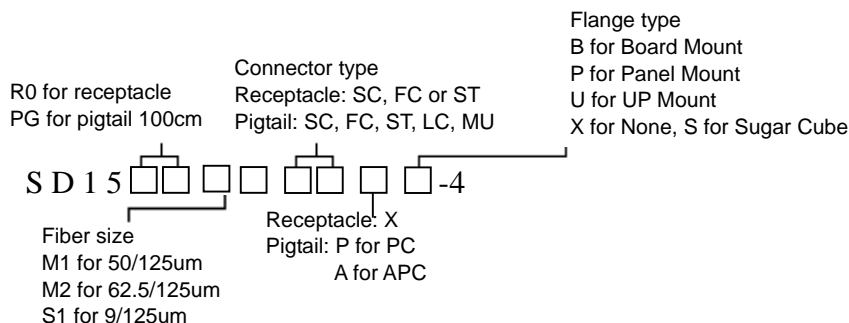
## Specifications (100mA forward current, 25 °C)

| Parameter   | Symbol          | Min  | Typical | Max  | Units   |
|---|-----------------|------|---------|------|---------|
| Peak Wavelength                                       | $\lambda$       | 1530 | 1550    | 1570 | nm      |
| Spectral width FWHM                                   | $\Delta\lambda$ | -    | -       | 40   | nm      |
| Coupled power to 62.5 $\mu$ m fiber                   | Po              | -    | 300     | -    | $\mu$ W |
| Coupled power to 50 $\mu$ m fiber                     | Po              | -    | 300     | -    | $\mu$ W |
| Coupled power to 9 $\mu$ m fiber                      | Po              | -    | 100     | -    | $\mu$ W |
| Forward voltage                                       | V <sub>F</sub>  | -    | -       | 2    | V       |
| Rise/fall time (10% to 90%)                           | tr/tf           | -    | -       | 3    | ns      |
| Cut off frequency (I <sub>op</sub> =100 mA, 20mA p-p) | B               | 150  | -       | -    | Mb/s    |

## Absolute Maximum Ratings

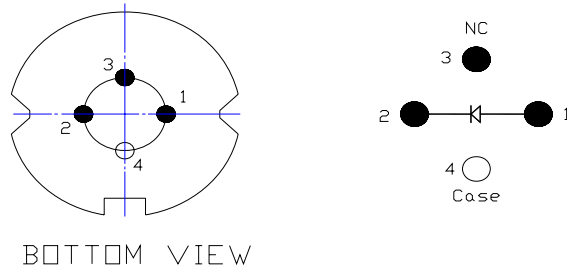
| Parameter                          | Symbol           | Min. | Max. | Unit |
|------------------------------------|------------------|------|------|------|
| Operating temperature              | T <sub>o</sub>   | 0    | +70  | °C   |
| Storage temperature                | T <sub>stg</sub> | -40  | +85  | °C   |
| Reverse voltage                    | V <sub>R</sub>   | -    | 2    | V    |
| Forward current                    | I <sub>op</sub>  | -    | 150  | mA   |
| Lead Soldering Temperature (10sec) | T <sub>L</sub>   | -    | 260  | °C   |

## Ordering Information



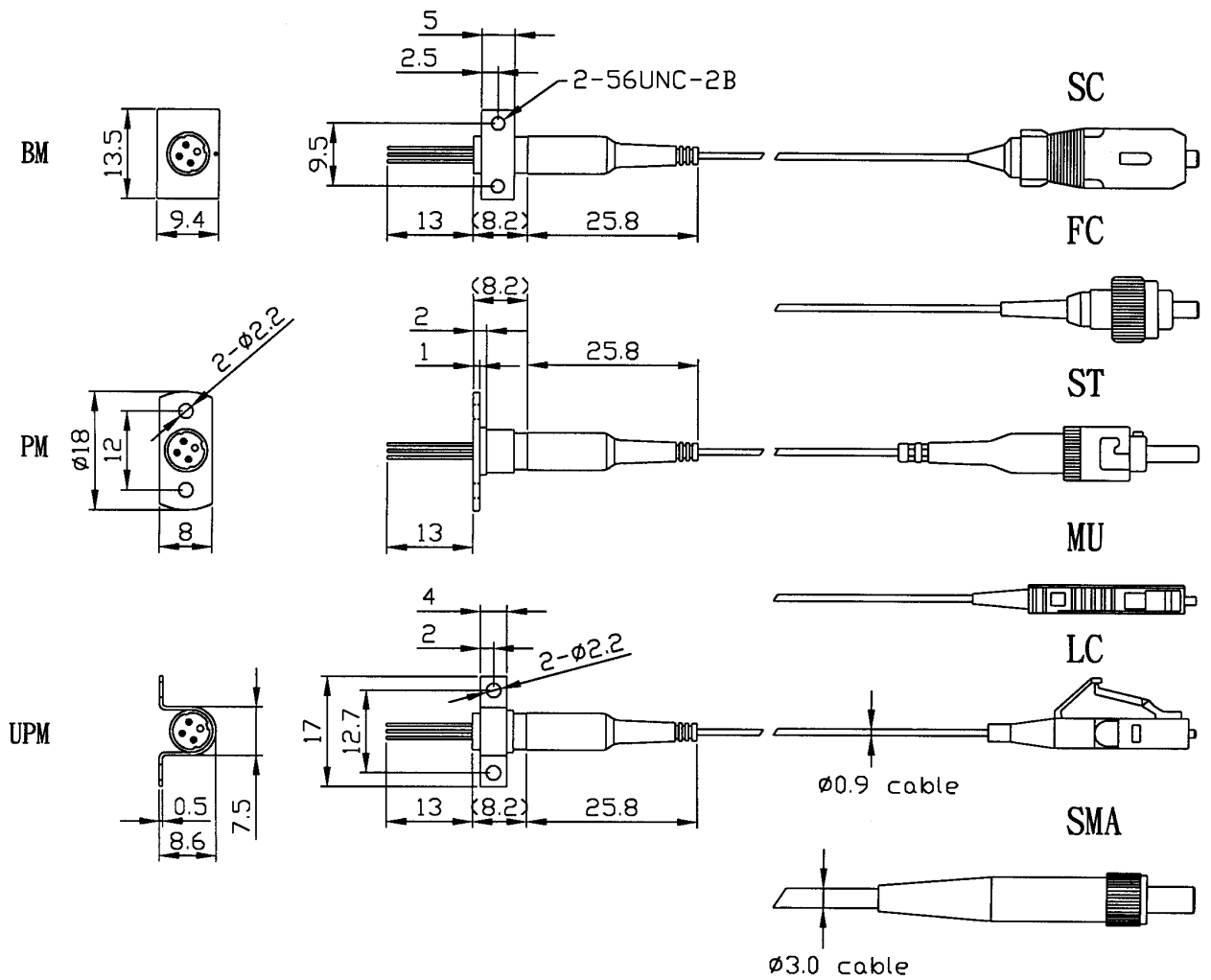
# 1550nm ELED Module

## Pin Connections



## Dimension

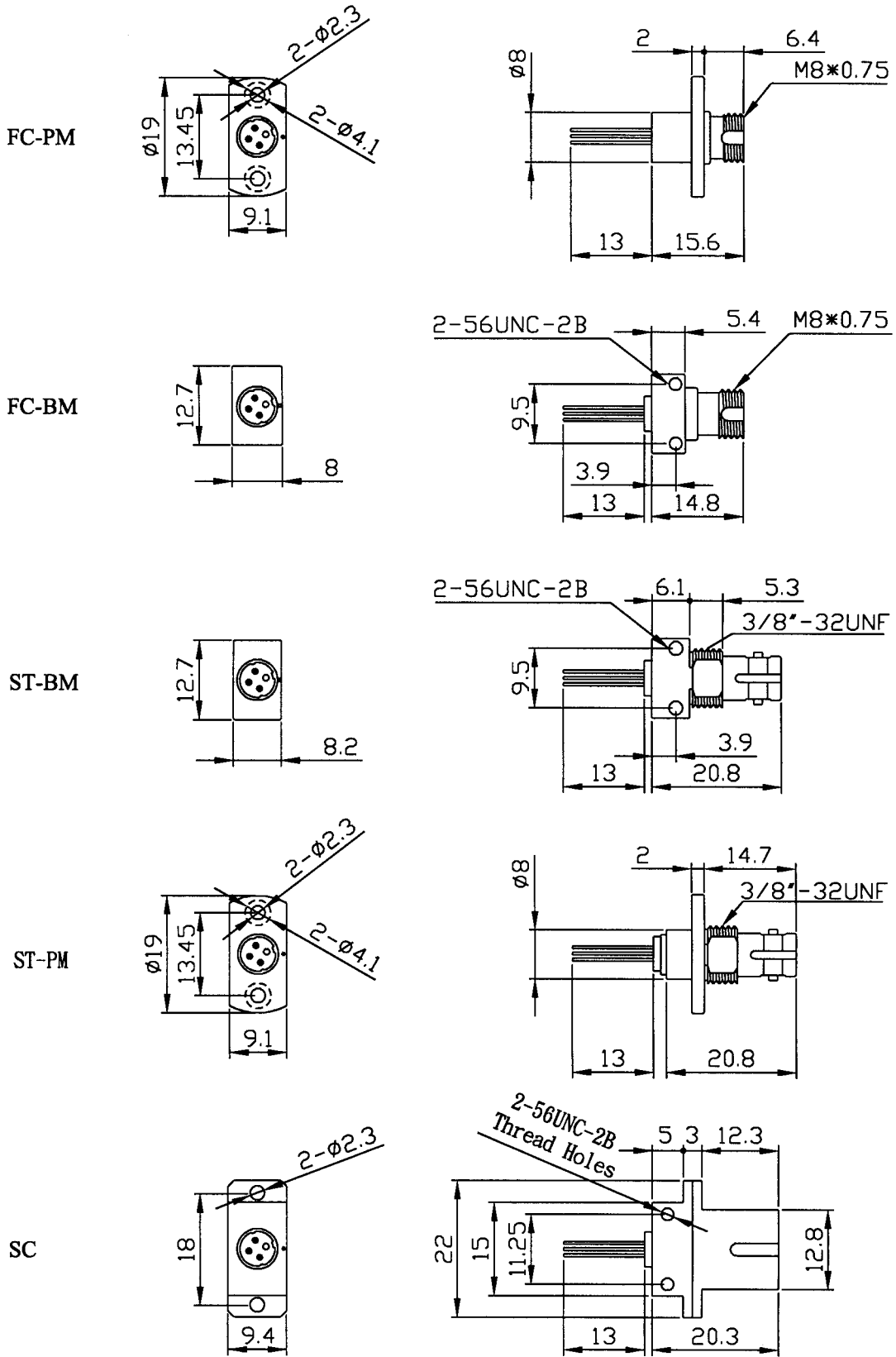
Pigtail Type



# 1550nm ELED Module

1550nm ELED Module

Receptacle Type



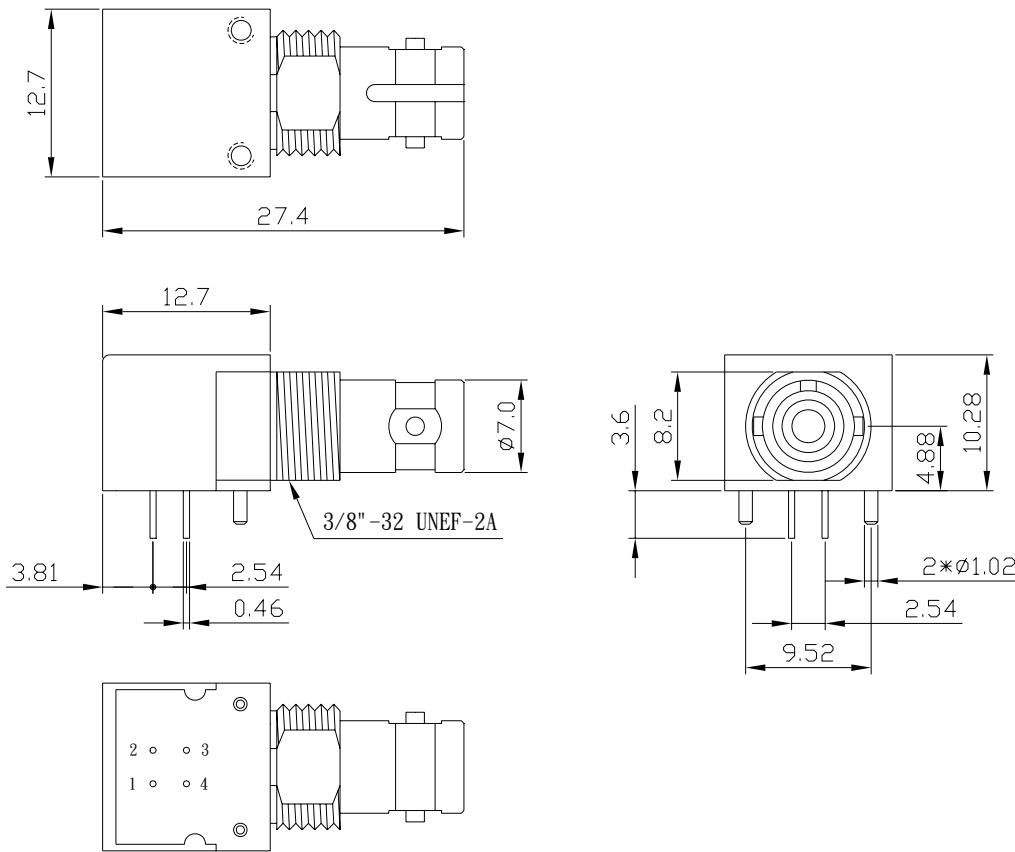
# 1550nm ELED Module

## Sugar Cube

### Pin Connections

| PIN No. | FUNCTION |
|---------|----------|
| 1       | ANODE    |
| 2       | CATHODE  |
| 3       | ANODE    |
| 4       | ANODE    |

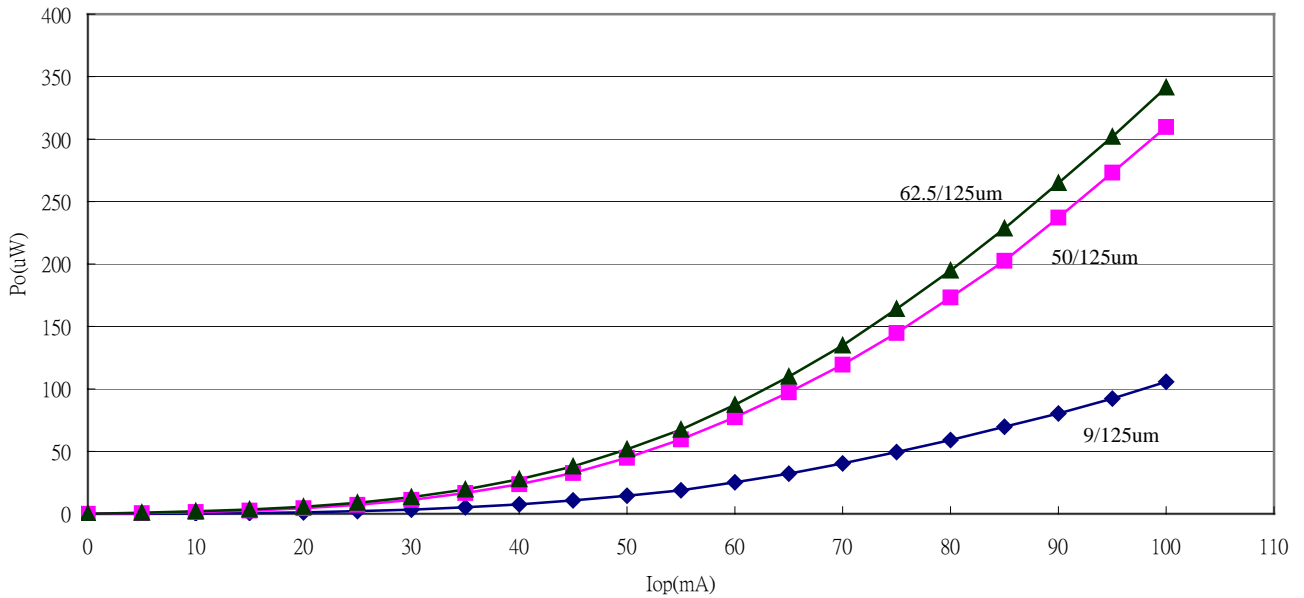
### Dimension (ST Receptacle) Unit mm



Units: mm

# 1550nm ELED Module

## 1550nm ELED Module Power-Iop Curve



## 1550 ELED Optical Spectrum

